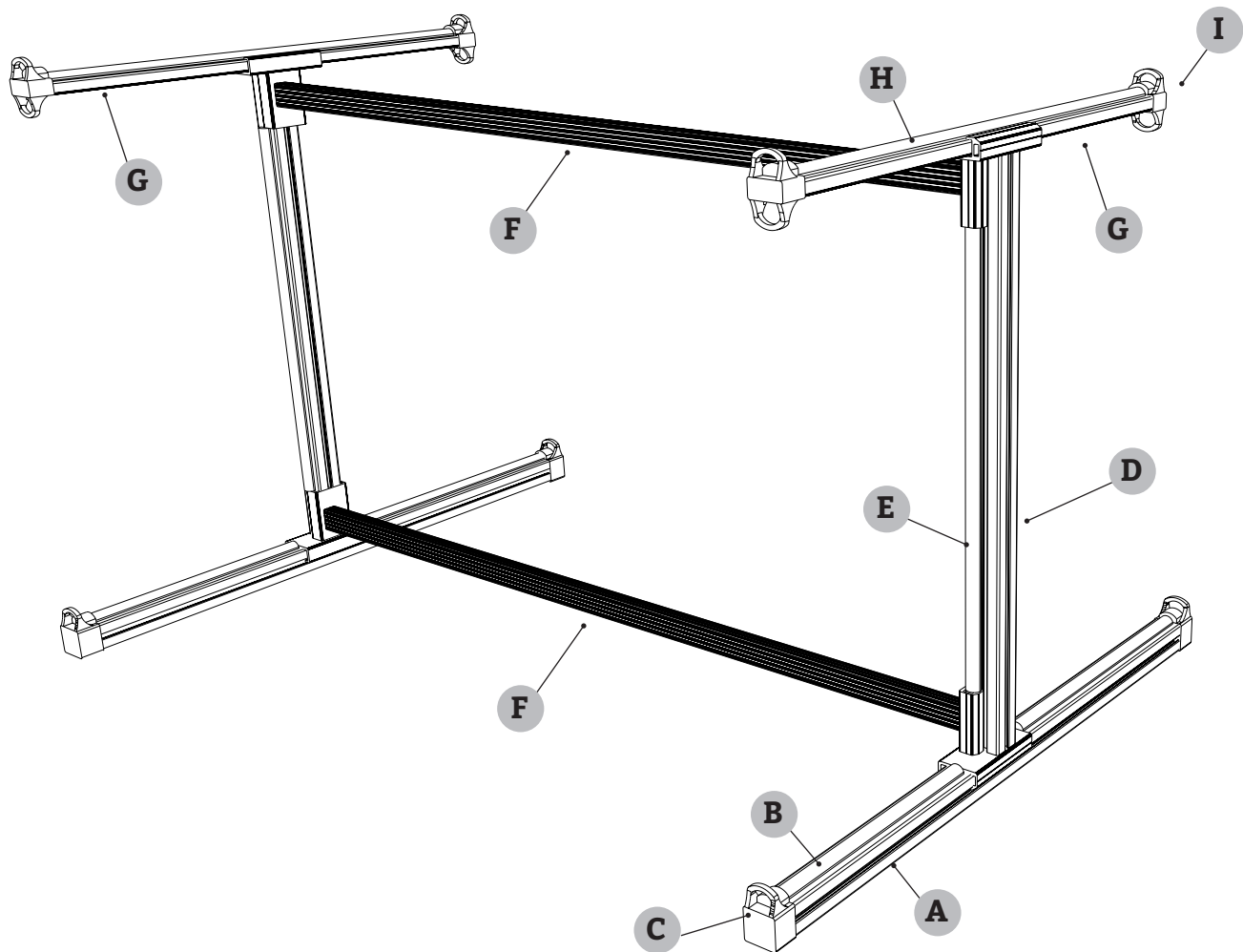


3-Craft Mini Storage Rack

Assembly Instructions



PART NAME	QTY	PART NAME	QTY
A. BASE BAR (42")	2	F. CROSS BAR WITH BRACKET (51.5")	2
B. BASE BAR HULL GUARD (17")	4	G. ARM (35")	2
C. BASE BAR END CAP	4	H. ARM HULL GUARD (34")	2
D. UPRIGHT BAR (35")	2	I. ARM END CAP	4
E. UPRIGHT HULL GUARD (27")	4		

LAUNCHES • TRAILERS • RACKS



Toll Free: 1-800-870-6756 | info@thedockdoctors.com | www.thedockdoctors.com

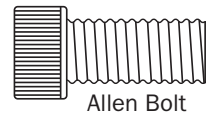
3-Craft Mini Storage Rack: Assembly Instructions

BOX 1 - Frame Set

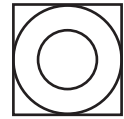
PART NAME	QTY
A. BASE BAR (42").....	2
B. BASE BAR HULL GUARD (17")	4
C. BASE BAR END CAP	4
D. UPRIGHT BAR (35").....	2
E. UPRIGHT HULL GUARD (27").....	4
F. CROSS BAR WITH BRACKET (51.5")	2
G. ARM (35")	2
H. ARM HULL GUARD (34")	2
I. ARM END CAP	4

HARDWARE (included in Box 1)

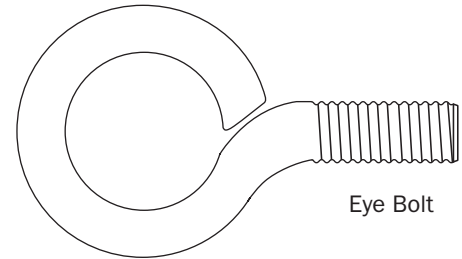
PART NAME	QTY
ALLEN BOLT ($\frac{5}{16}$ " X $\frac{5}{8}$ ")	8
EYE BOLT ($\frac{5}{16}$ ").....	4
$\frac{5}{16}$ " BRASS NUT.....	12
ALLEN WRENCH ($\frac{1}{4}$ ")	1



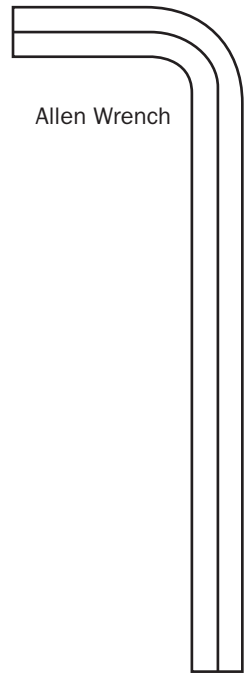
Allen Bolt



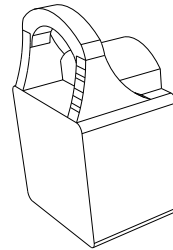
Brass Nut



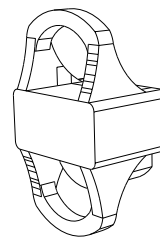
Eye Bolt



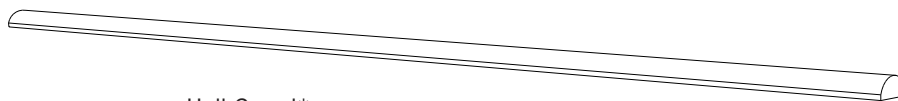
Allen Wrench



Base Bar End Cap*



Arm End Cap*



Hull Guard*

*Items are not to scale.

LAUNCHES • TRAILERS • RACKS



Toll Free: 1-800-870-6756 | info@thedockdoctors.com | www.thedockdoctors.com

3-Craft Mini Storage Rack: Assembly Instructions

Pre-assembly of hardware onto components

For the most efficient assembly, we recommend assembling the hardware onto some of the components prior to assembling the rack.

ASSEMBLY TIP

To install the allen and eye bolts, hold the arm bracket horizontally or place it on a flat surface. Use the included allen wrench to slide the brass nut into the channel and in place. Loosely thread the allen bolt or eye bolt onto the brass nut.

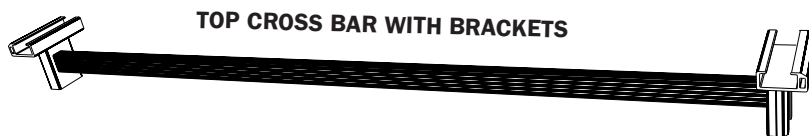
Step 1

Parts Needed	Quantity
Top Cross Bar with brackets	1
Allen Bolts	3
Brass Nuts	3

Bottom Cross Bar with brackets	1
Allen Bolt	1
Eye Bolts	2
Brass Nuts	3

Step 1: Pre-assemble hardware onto CROSS BAR with brackets:

NOTE: You will have (2) cross bars with brackets. One will be the TOP bar, and the other the BOTTOM bar. The difference is only the hardware that is installed on the end brackets.

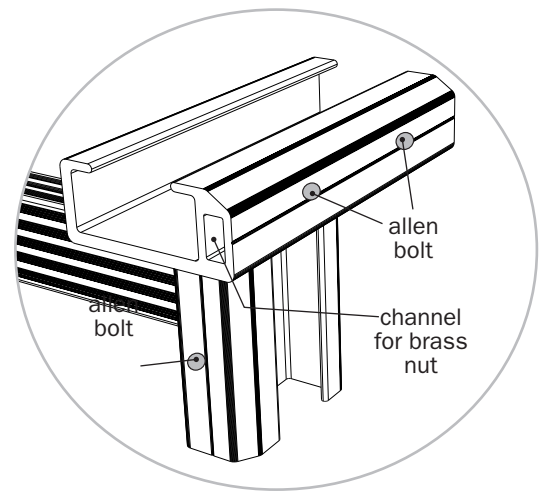


TOP CROSS BAR: Loosely install (3) allen bolts, and (3) brass nuts into the brackets on each side of the top cross bar with brackets.

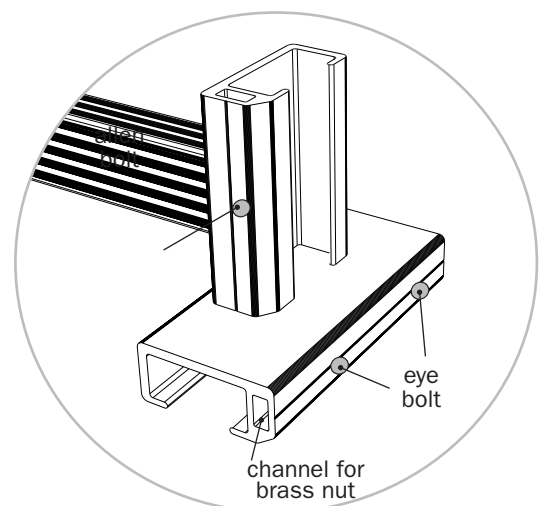


BOTTOM CROSS BAR: Loosely install (1) allen bolt, (2) eye bolts, and (3) brass nuts into the brackets on each side of the bottom cross bar with brackets.

TOP CROSS BAR



BOTTOM CROSS BAR



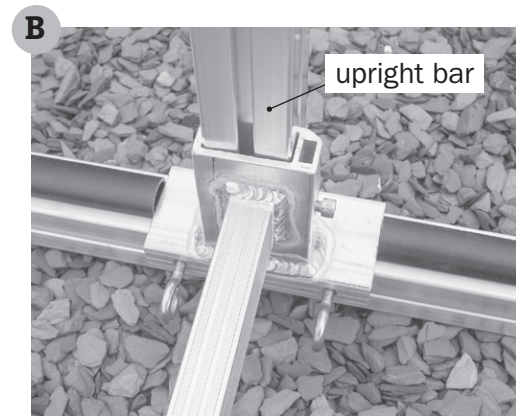
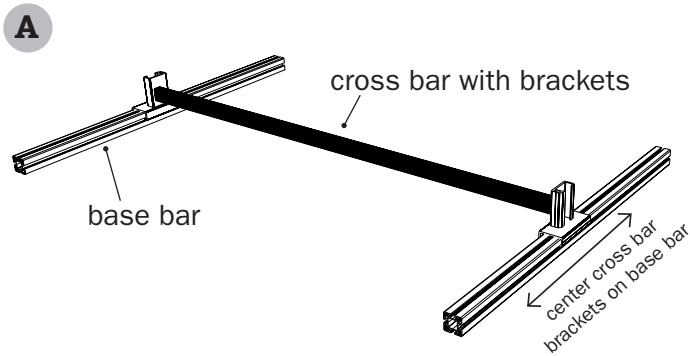
3-Craft Mini Storage Rack: Assembly Instructions

Step 2

Parts Needed	Quantity
Bottom Cross Bar with brackets	1
Base Bars (42")	2
Upright Bars (35")	2
Base Bar Hull Guard (17")	4
Base Bar End Caps	4
Upright Bar Hull Guards (27")	4

STEP 2: Connect Bottom Cross Bar to Base Bars and install Upright Bars

Using the bottom cross bar with brackets (the cross bar with the eye bolts installed), connect the two base bars together by sliding the brackets on the cross bar onto each base bar (see Figure A). Center the cross bar on the base bars.

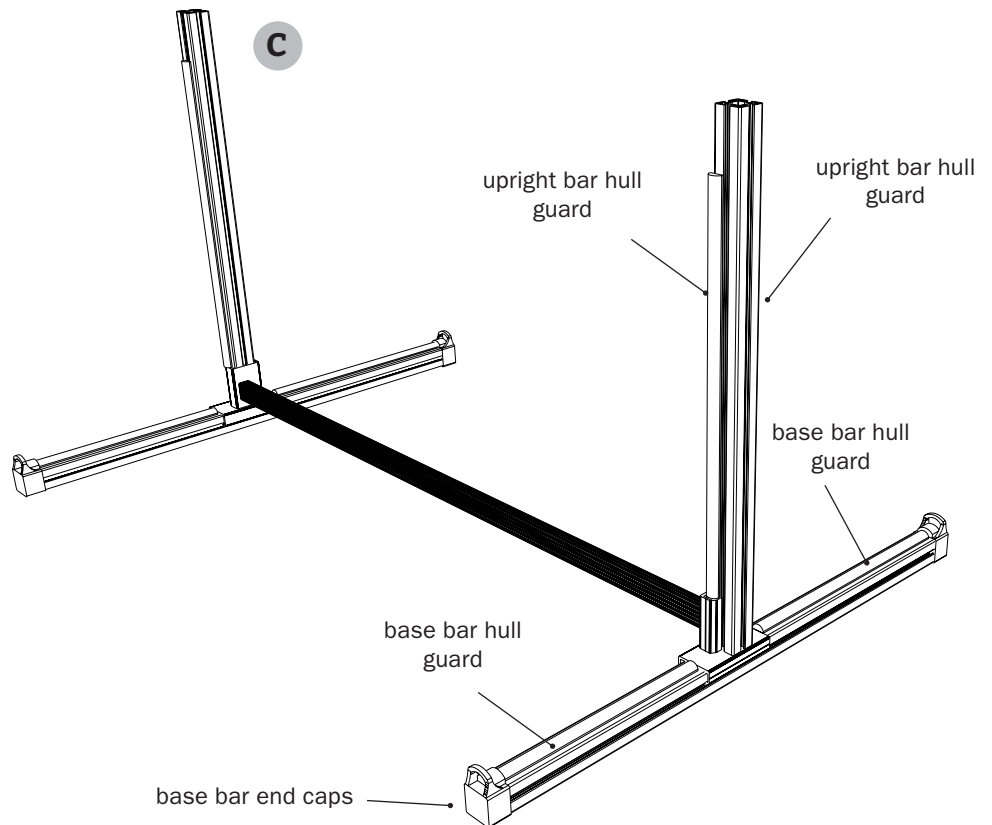


Install (1) upright bar into each upright bracket. Hand-tighten the allen bolts on the upright brackets (see Figure B).

Install (2) hull guards onto each base bar (see Figure C).

Install (2) base bar end caps onto each base bar.

Install (2) hull guards onto each upright bar.



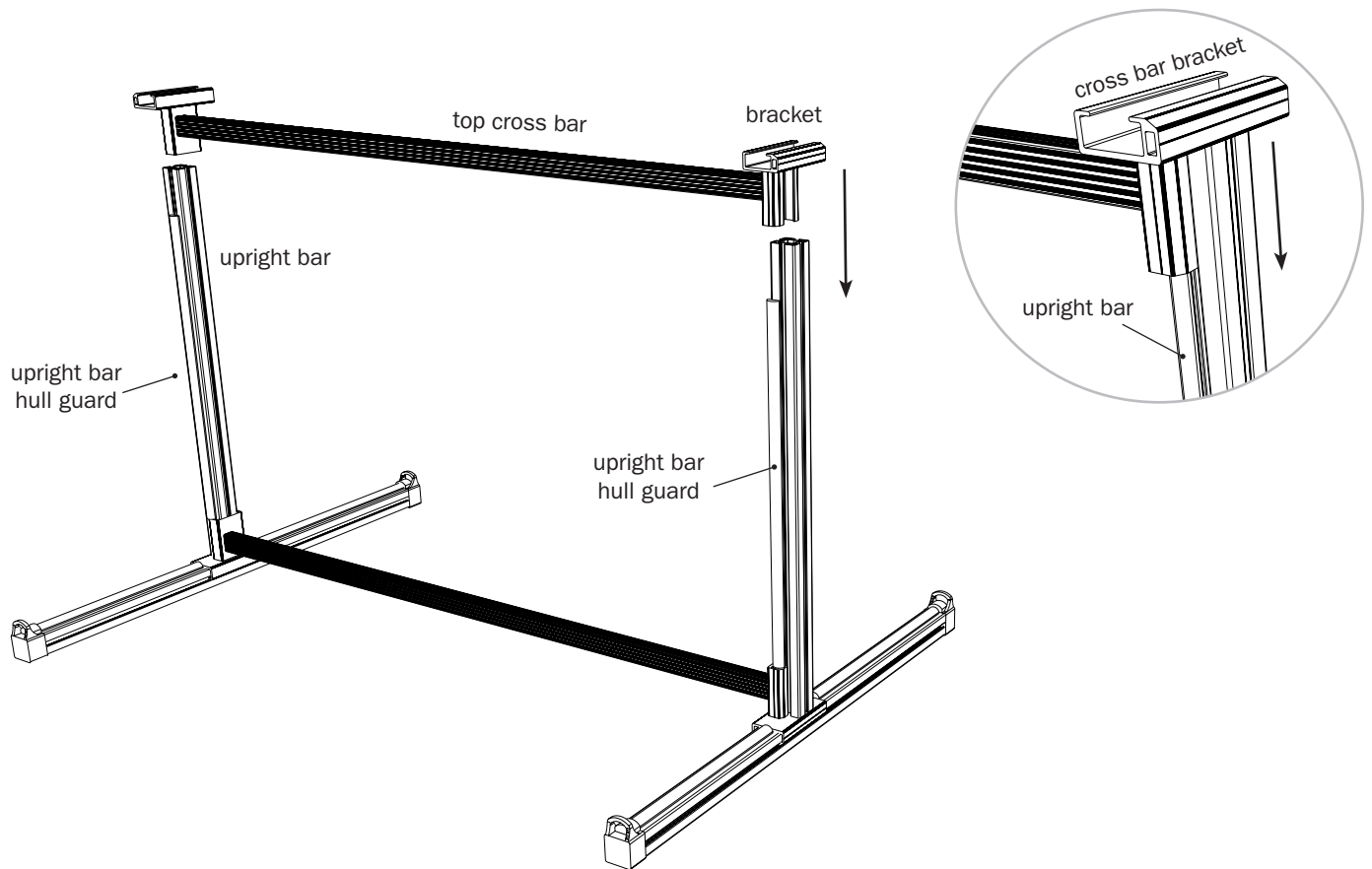
3-Craft Mini Storage Rack: Assembly Instructions

Step 3

Parts Needed	Quantity
Top Cross Bar with allen bolts installed	1

STEP 3: Assemble Top Cross Bar onto Upright Bars

Slide the brackets on the ends of the top cross bar onto the upright bars. Hand-tighten the allen bolt to secure the cross bar to the upright bar.



3-Craft Mini Storage Rack: Assembly Instructions

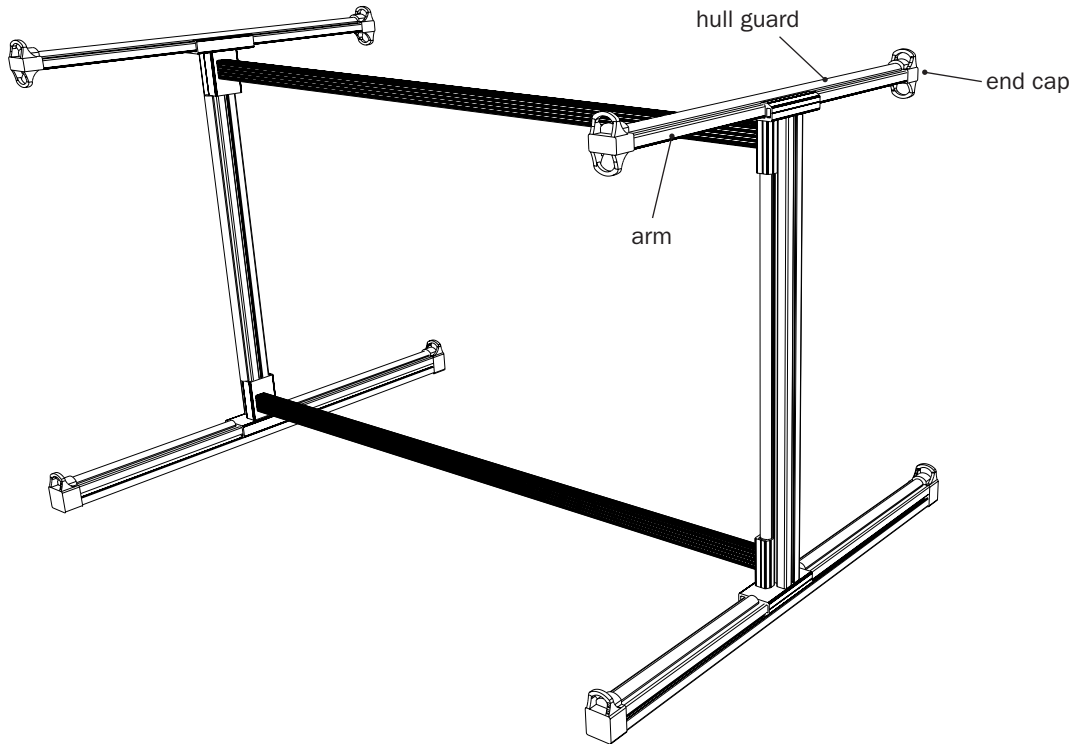
Step 4

Parts Needed	Quantity
Arms	2
Arm Hull Guards	2
Arm End Caps	4

STEP 4: Install Arms

Install (2) arms into the brackets on the top cross bar.

Install (1) hull guard and (2) end caps onto each arm.



STEP 5: Tighten All Bolts

Once you have all the components assembled, tighten all allen bolts with the provided allen wrench to complete the assembly and secure your rack.

