



**Paddle  
Products**

*The*  
**Dock Doctors**  
LLC  
Waterfront Specialists

Kayak Lifts

Storage Racks

Paddlesport Trailers

Rowing Docks

Launch Systems

Commercial & Residential

**800-870-6756**

[www.thedockdoctors.com/paddle-products](http://www.thedockdoctors.com/paddle-products)

2023 CATALOG



# Floating Docks : Heavy Duty Aluminum Paddle Docks



10-12" freeboard

Oseetah Lake, NY

Featuring heavy-duty aluminum frames, our paddle docks are suitable for commercial or residential applications. Their modular design allow for a variety of layout options.



10' x 20' paddle dock and 8' x 16' ramp section with Ipe decking.



Optional angled ladder



Spud pole anchor example





Saranac Lake, NY

**Above:** 8' x 20' paddle dock and 8' x 16' ramp section with cedar decking.  
**Below:** Paddle dock with composite decking and black powder coated frame.



Lake Placid, NY

## Heavy Duty Aluminum Paddle Docks

- 7" Aluminum Track Frame with 10"- 12" freeboard (approximate – pending sections, size & decking choices)
- Heavy duty, stainless-steel connection hinges
- Optional powder coated frame
- Cedar decking, or upgrade to optional Ipe or composite decking
- Black polyethylene flotation filled with expanded polystyrene
- Optional marine-grade black vinyl edge fender

### Paddle Docks

#### Heavy Duty Aluminum

Standard Size with cedar decking	Price
8' x 20'	as low as \$7,775
10' x 20'	as low as \$9,485
8' x 16' ramp section	as low as \$5,935
Angled Dock Ladder (aluminum)	\$ 515

Custom sizes and wider ramps available. Standard pricing includes aluminum frame, cedar decking and flotation. Site conditions, exposure, anchoring details and ramp requirements to be determined for final pricing.



# Floating Docks : Heavy Duty Aluminum Rowing Docks

Our heavy-duty, aluminum-frame rowing docks feature a modular design that allows for a variety of layout options. Suitable for commercial or residential applications.



Saratoga Springs, NY

## Heavy Duty Aluminum Rowing Docks

- 7" Aluminum Track Frame with 6"- 8" freeboard
- Heavy duty, stainless-steel connection hinges
- Modular track-style frame allows easy addition of optional components and multiple layout options
- Black polyethylene flotation filled with expanded polystyrene
- Cedar decking, or upgrade to optional Ipe or Composite
- Optional marine grade black vinyl edge fender
- Optional debris diverter protects the dock from floating debris often seen in river settings





# Rowing Docks

Heavy Duty Aluminum

Standard Size with cedar decking	Price
8' × 20'	as low as \$7,775
10' × 20'	as low as \$9,485
8' × 16' ramp section	as low as \$5,935
8' × 20' flared ramp section	as low as \$7,900

Custom sizes and wider ramps available. Standard pricing includes aluminum frame, cedar decking and flotation. Site conditions, exposure, anchoring details and ramp requirements to be determined for final pricing.

Accessories & Options	Price
<b>A</b> Wheel Kit	\$ 1,095 / set
<b>B</b> Angled Dock Ladder (aluminum)	\$ 515
<b>C</b> Debris diverter (8' or 10' long)	starting at \$3,679
<b>D</b> Hinge connections	as low as \$449
<b>E</b> Edge Fender (installed on dock)	\$13. <sup>50</sup> / lineal foot



City of Dover  
Cocheco River  
Dover, NH



YMCA Camp Coniston  
Grantham, NH



Axle & Wheel Mounts for seasonal installation & removal



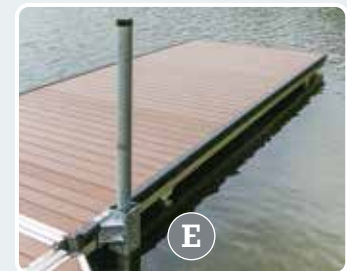
Angled Ladder



Debris Diverter



Hinge Connections



Edge Fender



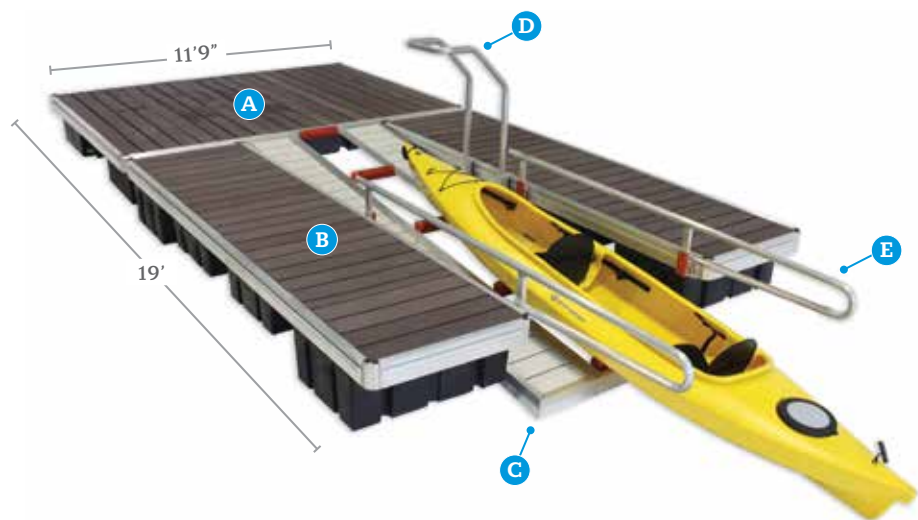
# Paddle Craft Launch Docks: Residential & Commercial Floating Launch Docks



Find out more at: [www.thedockdoctors.com/dock-and-launch-residential](http://www.thedockdoctors.com/dock-and-launch-residential)

## Residential Dock & Launch Systems

- Medium-duty 5" universal track-style frame.
- Non-skid surface on the launch platform, boarding handle and grab and launch rails.
- Can be used as an independent launch dock or as part of a complete dock system.



## Dock & Launch System Medium Duty Residential

Featuring a 5" tall aluminum frame, and 19' x 11'9" overall size, our medium duty dock and launch system includes:

- |  |   |
|--|---|
| <b>A</b> (1) main frame (7' x 11' 9")  | <b>D</b> Boarding handle                          |
| <b>B</b> (2) dock fingers (12' x 3' 6")  | <b>E</b> Grab and launch rails                    |
| <b>C</b> Launch ramp (4' x 12')<br>with built-in rollers & Sure-Step® non-skid decking | <b>* as low as \$15,995</b><br>with cedar decking |

\*Site conditions, anchoring & decking selection are necessary to determine final pricing. Please call for a free estimate.

# Commercial Dock & Launch Systems

- Heavy-duty system meets commercial & municipal quality standards with a 7" universal track-style frame.
- Can be used as a complete floating dock system, integrated into existing systems, or in conjunction with any of our floating dock systems.
- Features boarding handle and grab and launch rails. Non-skid surface on the launch platform.
- Optional transfer platform for wheelchair to craft access.
- Optional ADA curbing and rails.
- Watch a video and learn more at: [www.thedockdoctors.com/commercial-launch](http://www.thedockdoctors.com/commercial-launch)



ADA Accessible Option

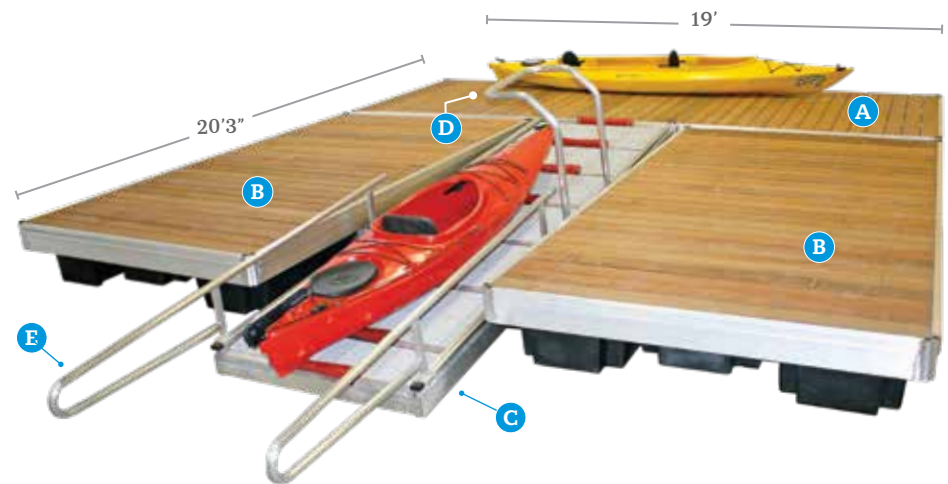
## Dock & Launch System

Heavy Duty Commercial

Featuring a 7" tall aluminum frame, and a 20'3" x 19' overall size, our heavy duty commercial dock and launch system includes:

- |   |   |
|---|---|
| <b>A</b> (1) main frame (7' x 19')  | <b>D</b> Boarding handle                          |
| <b>B</b> (2) dock fingers (7' x 13' 4")   | <b>E</b> Grab and launch rails                    |
| <b>C</b> Launch ramp (4' 4" x 15')<br>with built-in rollers & Sure-Step® non-skid decking | * as low as <b>\$24,750</b><br>with cedar decking |

\*Site conditions, anchoring & decking selection are necessary to determine final pricing. Please call for a free estimate.





# Paddle Craft Launch Docks & Lifts : Easily board & launch your paddle craft



Ideal for controlled bodies of water with minimal water fluctuation, our freestanding Launch Port System makes boarding and launching your craft a breeze.

## Freestanding Launch Port System

- Ideal for controlled bodies of water with minimal fluctuation
- Fixed height non-skid Sure-Step® platform
- Non-marring Stoltz® rollers
- Includes (2) standard duty leg dock sections and launch ramp – custom layouts available for your specific site
- Optional grab and launch rails offer more control when gliding on and off the launch platform



**A** Boarding Handle (optional)



**B** Grab & Launch Rails (optional)

## Freestanding Launch Port

Standard Duty Aluminum

Base unit includes:

(1) 4' × 8' & (1) 4' × 10' standard duty leg dock sections and (1) 4' × 12' launch ramp.



Item

Price

Freestanding Launch Port System

**\$ 5,800**

**A** Boarding handle (optional)

**\$ 415**

**B** Grab & launch rails (optional)

**\$ 695**

Pipe for upright supports sold separately pending water depth and lengths required.



# Launch Port Lift

If your water levels fluctuate, our Launch Port Lift raises up to 75" so the water is never out of reach.

- Non-marring Stoltz® rollers
- Non-skid Sure-Step® platform
- Stainless steel fasteners & cables
- 30" handwheel raises & lowers the platform
- 18" adjustable legs (other lengths available)
- Assembly service available (additional fee)

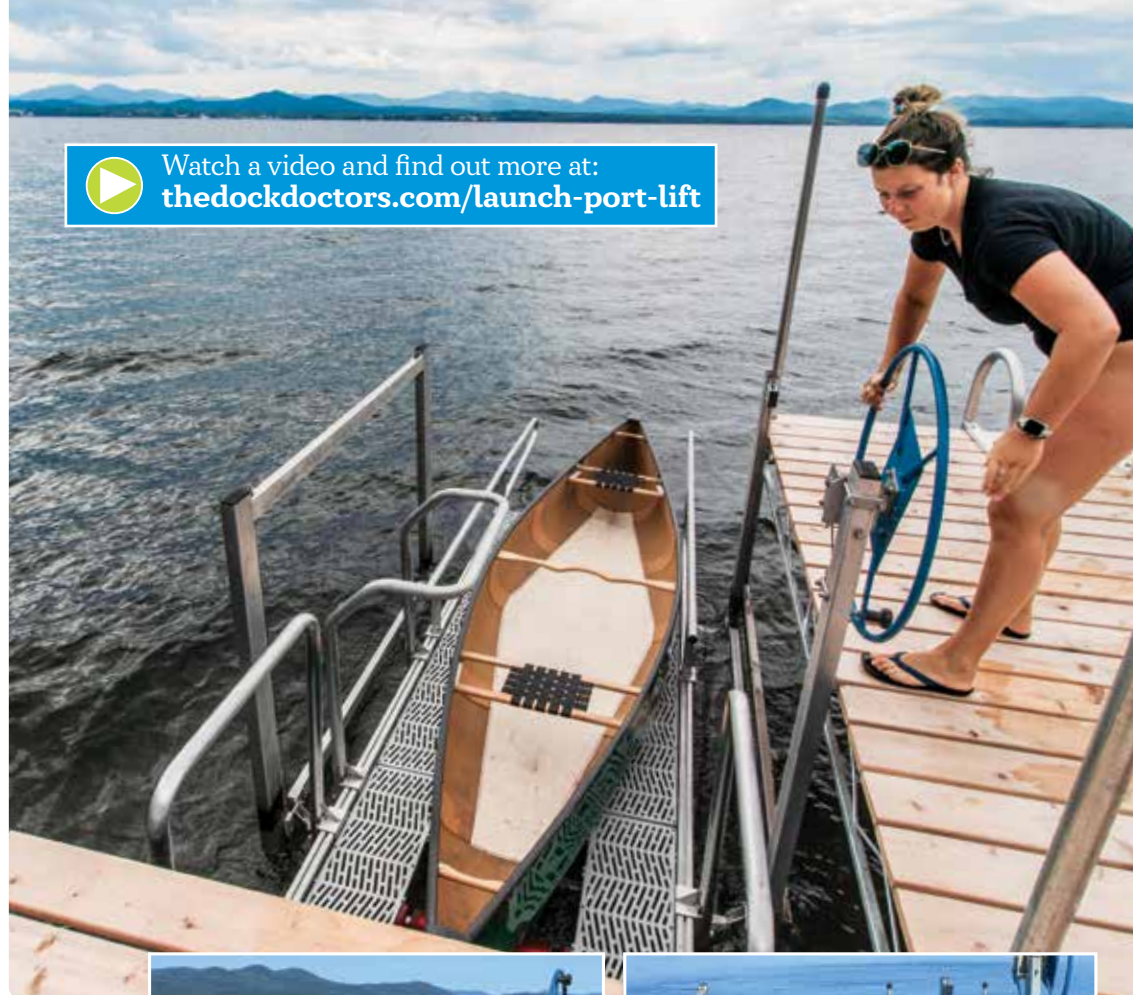


## Launch Port Lift Specs

Lifting Height	75"
Overall Width	73"
Overall Length	144"
Weight with platform	400 lbs.

## Launch Port Lift

Item	Price
Launch Port Lift (unassembled)	<b>\$ 6,950</b>
<b>A</b> Boarding Handle (optional)	<b>\$ 415</b>
<b>B</b> Grab & Launch Rails (optional)	<b>\$ 695</b>



Watch a video and find out more at:  
[thedockdoctors.com/launch-port-lift](http://thedockdoctors.com/launch-port-lift)



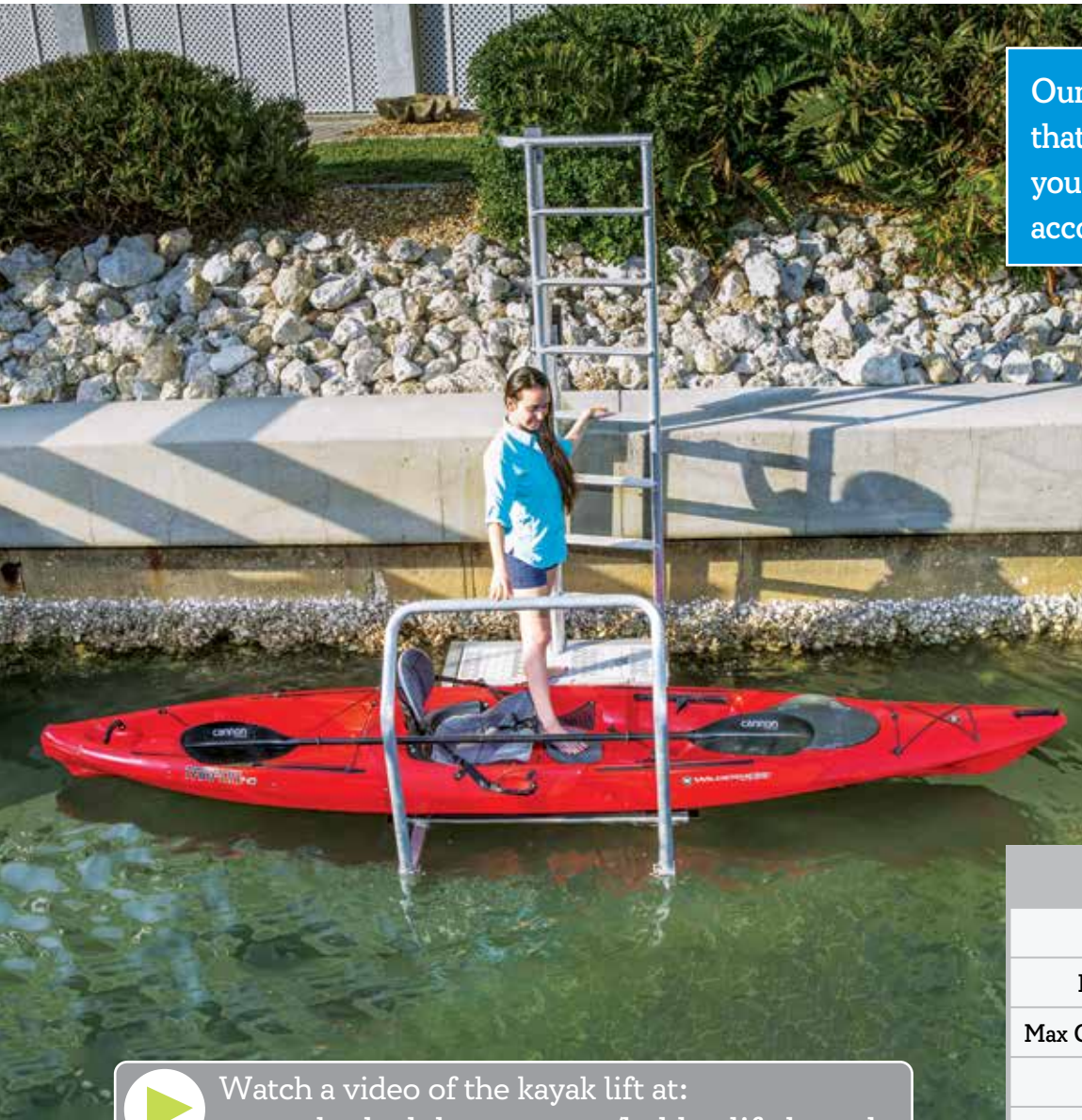
**A** Boarding Handle (optional)



**B** Grab & Launch Rails (optional)



# Paddle Craft Lift : Residential Small Craft Lifts



Our innovative Kayak Lift & Launch features a platform that raises and lowers so you can safely and easily launch your kayak from a seawall or dock. Available in 3 models to accommodate different lifting heights and craft weights.

## Kayak Lift & Launch Specifications

- Mounts to seawalls or docks
- Manual winch raises and lowers the platform
- Sure-Step® UV resistant decking on platform
- Boarding handle with built-in paddle storage hooks
- Adjustable aluminum & vinyl bunks
- Three models available
- FREE UPS shipping on models KL100-30 & KL100-66L
- Model KL400-72L ships freight visit our website for shipping costs to your location

MODEL	<b>A</b> KL100-30	<b>B</b> KL100-66L	<b>C</b> KL400-72L
Lifting Height	30"	66"	72"
Max Craft Weight	100 lbs.	100 lbs.	400 lbs.
Max Craft Beam Width	38"	38"	51"
Ladder	NO	YES	YES
UPS Shippable*	YES	YES	NO (ships freight)

\*FREE shipping on KL100-30 and KL100-66L within the continental USA. Optional accessories subject to regular ground shipping costs. Shipping additional for Model KL400-72L, please call or visit our website to calculate a shipping cost to your location. Custom lifting heights available, call us for details.



Watch a video of the kayak lift at:  
[www.thedockdoctors.com/ladder-lift-launch](http://www.thedockdoctors.com/ladder-lift-launch)





Lower launch platform and craft.



Transition down the ladder.



Board your craft.



Glide smoothly off.

FREE shipping



Photo courtesy of M. Warkentin

For sites that are a minimal distance off the water, model KL100-30 Kayak Launch has a lifting height of 30" and can accommodate crafts up to a 38" beam width. Includes manual winch, boarding handle, kayak leash and adjustable bunks.

\$2,300



Ships FREE within the continental USA

FREE shipping



Model KL100-66L features a built-in ladder and has a lifting height of 66" and can accommodate crafts up to 38" beam width. Includes manual winch, boarding handle, kayak leash and adjustable bunks.

\$2,940



Ships FREE within the continental USA



This model will accommodate the Hobie Mirage® Tandem



Designed for larger crafts the KL400-72L Kayak Launch features a built-in ladder and has a lifting height of 72" and can accommodate crafts up to 51" beam width. Includes manual winch, boarding handle, kayak leash and adjustable bunks.

\$4,035

Ships FREIGHT (shipping additional)

## Optional Accessories



**Kayak Roller:** Assists in moving your kayak onto the bunks. Bolts to side of platform. Cannot be used in combination with Top Transition Step. \$230



**Top Transition Step:** Provides a platform for an easier transition to the ladder or the launch platform. Also assists with loading and unloading your craft. \$360



**Concrete Installation Kit:** For installation on concrete surface. Note: Requires an electric hammer drill with concrete bit sized for the rod listed.

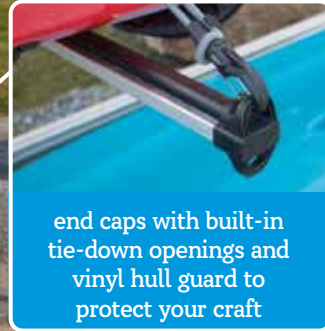
KL100 kit: \$110

KL400 kit: \$119



# Paddle Craft Storage Racks : Accessories for storing your paddle crafts

Marine-grade aluminum frame small craft storage racks. Available in freestanding, wall mounted, and dock mounted styles. Featuring arms with vinyl hull guards and end caps with built-in tie-down openings.



end caps with built-in tie-down openings and vinyl hull guard to protect your craft



adjustable arms with eye-bolts for securing tie-downs

## Residential Aluminum Storage Racks

- Lightweight aluminum frame storage racks for storing canoes, kayaks, paddle boards and other small crafts
- Adjustable height arms with vinyl hull guards (additional arms available for custom configurations)
- Custom end caps with built-in tie down openings (tie-downs sold separately)
- Crafts can be secured with a cable and lock (not included).
- Stainless steel hardware

### Optional Accessories

#### Adjustable Feet

Ideal for uneven ground. Includes 2 feet, mounting brackets and hardware.  
**\$205 (pair)**



#### Additional Support Arms

Includes 2 arms, mounting brackets and hardware.  
**\$145 (pair)**



#### Tie-Down Bungees

Adjustable-length (10 – 48”) with a wrap-and-lock system so you can adjust the tension without unclipping the ends.  
**\$24 (pair)**

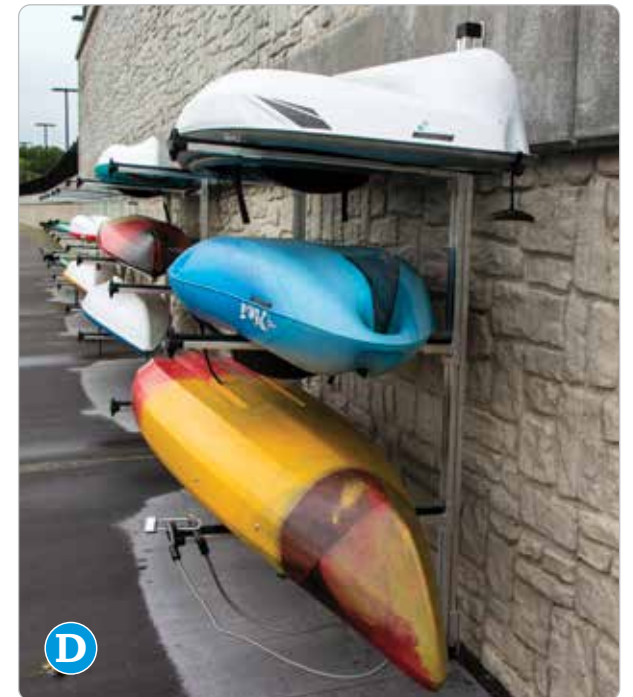






Storage Racks					MARINE GRADE ALUMINUM
Storage Rack Style	Craft Capacity	Unit Weight	(W x D x H) Dimensions	Arm Length	PRICE
<b>A</b> Double-Sided Rack	6-crafts	102 lbs.	80" x 69" x 67"	35"	\$ 1,175
<b>B</b> Single-Sided Rack	3-crafts	76 lbs.	49" x 69" x 67"	35"	\$ 879
<b>C</b> Mini Rack (double-sided)**	3-crafts	42 lbs.	43" x 56" x 38"	upper 34" lower 18"	\$ 615
<b>D</b> Wall-Mounted Rack	3-crafts	44 lbs.	var.† x 38" x 84"	35"	\$ 655
<b>E</b> Adjustable Feet (pair)	n/a	10 lbs.			\$ 205
<b>F</b> Additional Arms (pair)††	n/a	8 lbs.		35"	\$ 145
<b>G</b> Tie-Down Bungees (pair)	n/a	n/a			\$ 24

All racks include allen wrench for assembly and adjustment of arm positions. Shipping or Delivery additional - please call for pricing or visit our website. \*Assembly service available (additional charge) for racks that are picked-up or delivered only. \*\*Double-sided mini rack is designed as a space saver and requires crafts to be positioned slightly angled on the bottom of the rack. †Wall mount rack dimensions are as follows: Width is variable depending upon installation, Depth is from wall to end of arm. ††Additional arms not available for (C) Mini Rack.





# Paddle Craft Storage Racks : Structurally designed for commercial use



**A** Freestanding Commercial Rack in powder coated black finish.

## Commercial Storage Racks

Our commercial / municipal storage racks are manufactured with marine-grade aluminum frames and are available in standard aluminum or black powder coated finish.

- Adjustable height arms with vinyl hull guards
- Custom end caps with built-in tie-down openings (tie-downs sold separately)
- Additional arms available
- Standard aluminum or optional black powder coated finish
- Freestanding and concrete mount models
- We can customize any of our storage racks for your specific needs

### Commercial Storage Racks

Storage Rack Style	Storage Capacity	Unit Weight	(W × D × H) Dimensions	Arm Length	STANDARD ALUMINUM	POWDER COATED BLACK
					PRICE	PRICE
<b>A</b> Freestanding (Double-Sided)	8-crafts	221 lbs.	93" × 69" × 83"	35"	<b>\$ 2,440</b>	<b>\$ 3,079</b>
<b>B</b> Concrete Mount	8-crafts	172 lbs.	76" × 69" × 72"	35"	<b>\$ 2,285</b>	<b>\$ 2,889</b>
<b>C</b> Additional Arms (pair) ††		18 lbs.		35"	<b>\$ 320</b>	<b>\$ 390</b>

All racks include allen wrench for assembly and adjustment of arm positions. Shipping or delivery additional - please visit our website or call for pricing. \* Assembly service available (additional charge) for racks that are picked-up or delivered only. Note: Concrete bases not included.

Note: Paddle craft should be stored upside-down to prevent collection of water inside the craft.







**B**

Concrete mounted base for secure, permanent installations (concrete bases not included).



**B**



**A**

Freestanding Commercial Rack in standard aluminum finish.



**C**

additional arms

**Paddle Craft**  
LAUNCHES • LIFTS • RACKS



# Paddle Craft Trailer : 4' x 5' aluminum trailer for transporting your paddlesport gear

Our Aluminum Paddlesport Trailer is fully-assembled and manufactured with marine-grade, one-piece aluminum frames. Our high-quality, easy to tow, functional trailer will safely transport and store all of your paddling gear.



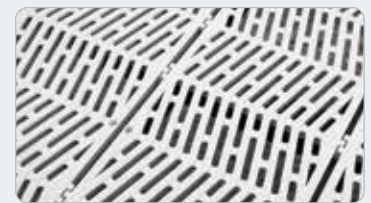
LED lighting



Load bars with custom end caps with built-in tie-down loops & vinyl hull guard included



Adjustable tongue



Sure-Step® decking on trailer bed

Optional Load Bar Extender Kit



Stands up for storage



We ship our trailers to anywhere in the continental US





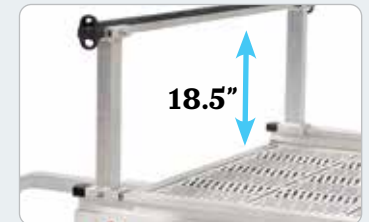


## Optional Accessories



### Trailer Sideboards

Turn your trailer into a full utility trailer with these removable, marine-grade aluminum sideboards. Sideboards are 16" high from the trailer bed and include brackets for mounting load bars. **\$590**



### Load Bar Extender Kit

This kit raises the load bars from 11" to 18.5" above the trailer bed, allowing room for more gear. **\$215**



### Spare Tire and Mount

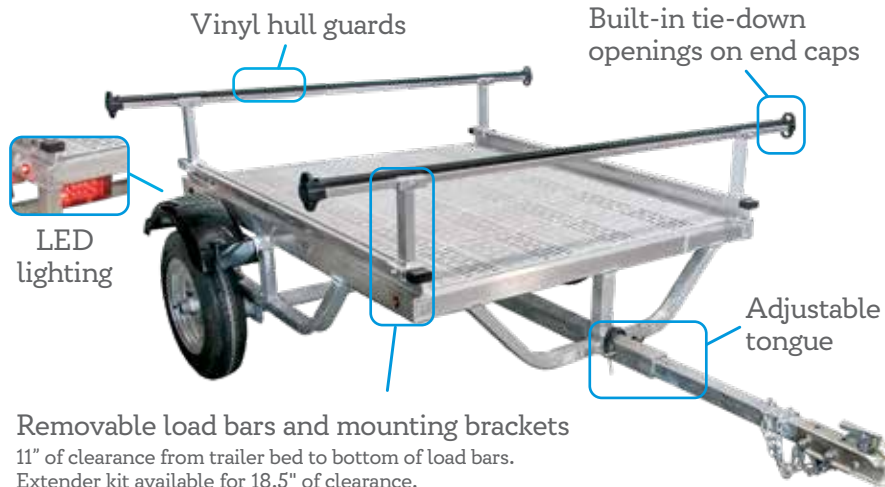
DOT approved two-ply 12" trailer tire with tongue mount. **\$185**

## 4' x 5' Deluxe Trailer

**\$2,790**

**4' x 5' Deluxe Trailer**  
with standard height removable load bars  
model # T45DSS

Axle	torsion
Load Bar Length	72"
Coupling Size	2"
Tire Size	12"
Unloaded Weight	250 lbs.
GVWR maximum operating weight	900 lbs.
Load Capacity	650 lbs.
Overall Length	11' 7" tongue extended
	8' 7" tongue retracted
Bed Height	24" ground clearance
	11" load bar clearance



Removable load bars and mounting brackets  
11" of clearance from trailer bed to bottom of load bars.  
Extender kit available for 18.5" of clearance.

Shipped assembled - prices do not include shipping.