

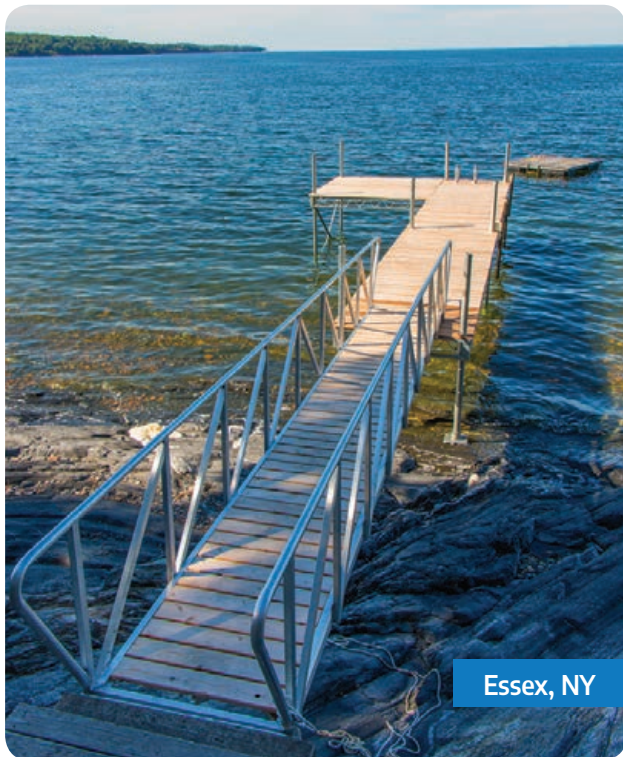


Designed for use in rough and deep water applications, our mega duty steel truss leg and wheel docks feature taller frames, longer and wider sections, and larger diameter upright supports than our heavy duty steel truss dock systems. Available in two stock sizes (or contact us for custom size dock options).

Shelburne, VT

Mega Duty Steel Truss Leg & Wheel Docks

- Designed for use in rough & deep water applications
- 11" tall galvanized steel truss frame
- 3" diameter upright supports
- Stocked in 6' × 20' & 8' × 20' sizes (custom sizes available)
- Adjustable leg stanchions built into frame
- Removable decking in cedar or composite
- Ipe hardwood decking option also available



Above: 6' wide mega duty leg dock with aluminum gangway (see page 41).





Shelburne, VT

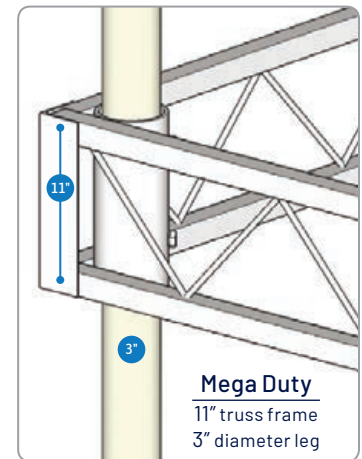
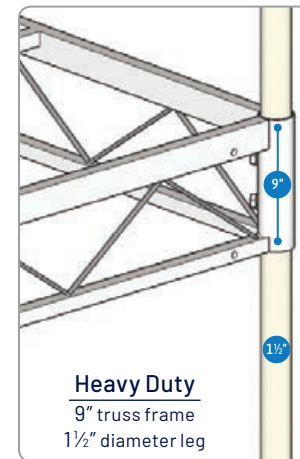
Sliding Boarding Step \$899
Bridges the gap from your dock to your boat

Remove the gap to transition safely to/from your boat. Securely attaches to your existing dock. Find out more at: www.thedockdoctors.com/boardingstep



Shelburne, VT

Heavy Duty vs. Mega Duty Frames



Our mega dock used as shoreside access to a custom floating dock (see our [Custom Catalog](#)).

Assembly Components

Connecting Brackets
each connection requires (4)
\$ 25.⁵⁰ each



Safety Cap
for 3" pipe
\$ 6.⁹⁵ each



Galvanized Pipe 3"
cut to length pending water depth
\$ 12.⁹⁵ per foot



Footpad
(galvanized steel)
\$ 50 each

Dock Panel Securing Cord
\$ 5.²⁵ set of 4



Cross Braces
(not shown, optional stabilizes docks in deeper water)

\$ 179 (6' wide docks)

\$ 189 (8' wide docks)



Mega Dock Adjustment Kit

adjust the level of your dock with this kit that slides over the 3" leg pipe

\$ 449 pair



6' x 20' Mega Duty Leg Dock

Mega Duty Steel Truss: Leg & Wheel Docks



Stock Size	Weight*	CEDAR Price	WEARDECK® Price
LEG DOCKS			
6' x 20'	400 lbs.	\$ 3,569	\$ 4,269
8' x 20'	480 lbs.	\$ 4,769	\$ 5,749
WHEEL KITS			
for 6' wide docks	\$ 449		
for 8' wide docks	\$ 469	See decking details and color choices on p.13.	
 IPE Ipe hardwood decking also available as a special order.			
Pricing includes dock frame and removable decking. Custom sizes available as a special order. The necessary assembly components are sold separately. *Weights do not include the decking.			

