



Designed for use in rough and deep water applications, our **mega duty steel truss leg and wheel docks** feature taller frames, longer and wider sections, and larger diameter upright supports. Available in two stock sizes (or contact us for custom size dock options).



Lake George, NY

## Mega Duty Steel Truss Leg & Wheel Docks

- Designed for use in rough & deep water applications
- 11" tall galvanized steel truss frame
- 3" diameter upright supports
- Stocked in 6' × 20' & 8' × 20' sizes (custom sizes available)
- Adjustable leg stanchions built into frame
- Removable cedar or NyloDeck® composite decking panels (Trex® or Ipe hardwood also available)



*Mega dock with NyloDeck® decking, aluminum gangway (see p. 41) and our ultimate boat lift with Sunbrella® canopy (see pages 60-63).*

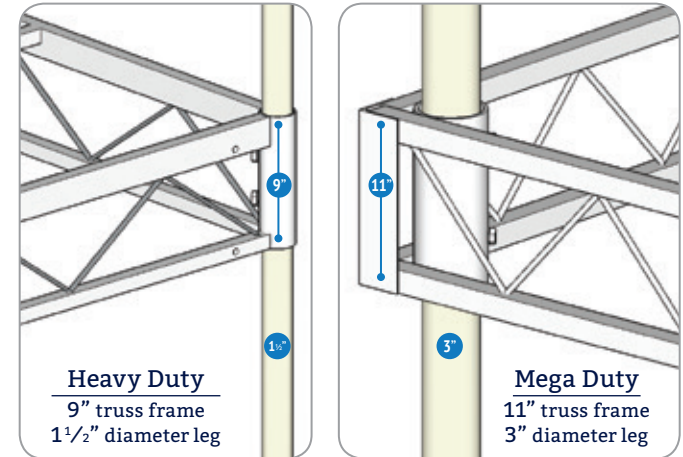


*6' × 20' mega duty steel truss dock with a 4' × 16' heavy duty ramp section to transition over rocky shoreline.*



6' x 20' mega duty steel truss docks with 3' x 24' aluminum gangway, (2) 1,250 vertical PWC lifts, and our 6,000 lb. Ultimate boat lift.

Heavy Duty vs. Mega Duty Frames



*Accessory Ideas:* see pages 8-19 for full details and more accessory options



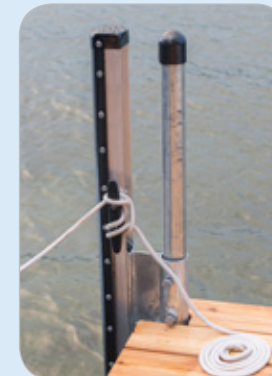
aluminum ladder



boarding handle



flag pole



vertical fender



mooring whips

*protect your boat*  
with our adjustable  
vertical fenders



Shelburne, VT

Our mega dock used as shoreside access to a custom floating dock (see our Custom Catalog).

## Mega Duty Steel Truss

see decking details on p. 15

**Size**                      **Weight\***

### LEG DOCKS

		 CEDAR Price	<small>see color choices on p. 15</small>  NYLODECK® Price
6' x 20'	400 lbs.	\$ 3,569	\$ 4,719
8' x 20'	480 lbs.	\$ 4,769	\$ 6,269

### WHEEL KITS

for 6' wide docks	\$ 439
for 8' wide docks	\$ 459

 Ipe hardwood &  Trex® composite decking also available as a special order.

Pricing includes dock frame and removable decking. Custom sizes available as a special order. Wheel kits sold separately (see above). The necessary assembly components are sold separately. \*Weights do not include the decking. Please call for pricing on custom upgrades. Please allow additional order time for powder coated frame upgrade.



## Assembly Components



**Connecting Brackets**  
each connection requires (4)  
\$ 24.<sup>00</sup> each



**Safety Cap for 3" pipe**  
\$ 6.<sup>50</sup> each  
**Galvanized Pipe 3"**  
cut to length pending water depth  
\$ 12.<sup>95</sup> / foot



**Footpad for 3" pipe**  
(galvanized steel)  
\$ 47.<sup>00</sup> each



**Dock Panel Securing Cord**  
\$ 4.<sup>95</sup> set of 4



**Cross Braces** (not shown)  
(optional) stabilizes docks in deeper water  
\$ 168.<sup>00</sup> (6' wide docks)  
\$ 178.<sup>00</sup> (8' wide docks)



**Mega Dock Adjustment Kit**  
Adjust the level of your dock with this kit that slides over the 3" leg pipe.  
\$ 419 / pair